

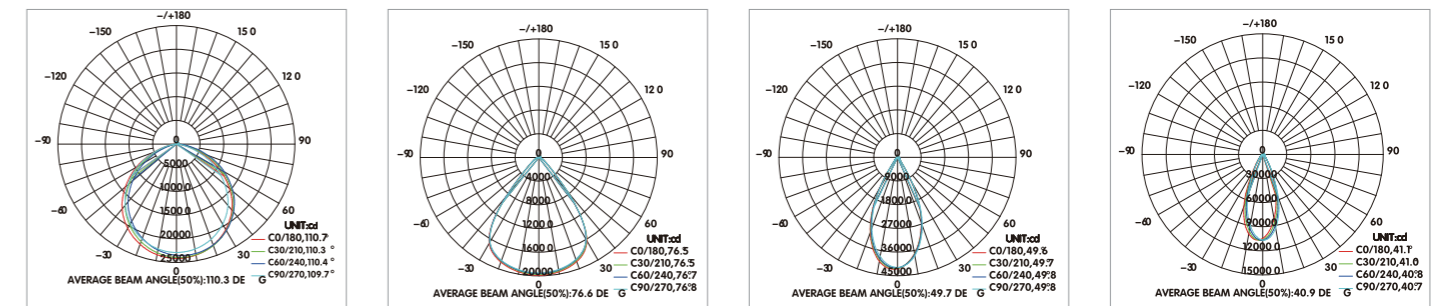


# HT SERIES

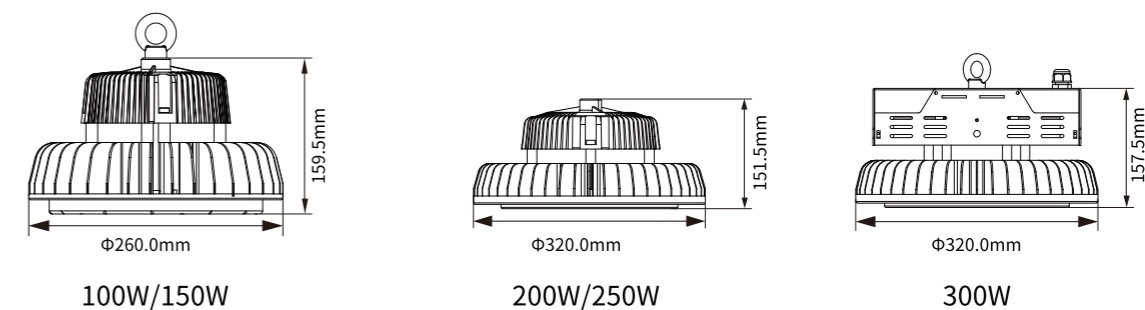
## Product Parameter

Part Number	DG-HT01-100W	DG-HT01-150W	DG-HT01-200W	DG-HT01-250W	DG-HT01-300W
Wattage	100W	150W	200W	250W	300W
Lumen Output	14000lm	21000lm	28000lm	35000lm	42000lm
Light Efficiency	140lm/w				
Dimensions(mm)	Φ260*159.5	Φ260*159.5	Φ320*151.5	Φ320*151.5	Φ320*157.5
CRI	>Ra70, >Ra80				
CCT	3000K, 4000K, 5000K, 5700K, 6500K				
Input Voltage	100-240Vac, 100-277Vac, 50-60Hz, PF≥0.95				
IP Rating	IP65				
LED Driver	Meanwell, Sosen, Philips, Lifud				
Working Temperature	-30°C to +50°C				
Lifespan	LM70, >145,000Hrs				

## Light Distribution



## Outline Drawing



## Intelligent Control Option

- Dali Control
- 1-10V Dimming Control
- Occupancy Control

HT constructed from high grade aluminum alloys and has an IP65 and petrochemical industry rating, suitable for both indoor and outdoor applications.

Designed for high-bay / low-bay applications to replace metal halide, high-pressure mercury and high pressure sodium lamp fixtures. It is available in numerous choices of optics for a wide range of applications. Available with numerous versatile mounting systems including its a patented Snap & Turn mounting system enabling, a simple, safe and cost effective installation.

140 lm/W
IP65
IK10
UGR<22
SDCM<5

100W, 150W, 200W, 250W, 300W  
 140lm/w  
 Beam angle: 60deg, 90deg, 120deg  
 LM80, ISTMT and TM21 report available  
 5 years warranty  
 Wide range of lumen output package from 14,000lm up to 42,000lm

