



5
years
warranty

GEMINI SERIES

130
lm/W

IP65

IK08

SDCM<5

30W, 50W, 60W, 75W, 90W, 100W, 120W, 150W
130lm/W

Beam angle: optional

LM80, ISTMT and TM21 report available

5 years warranty

Wide range of lumen output package
from 3,900lm up to 19,500lm

Excellent heat dissipation

Gemini fully integrated heat sink is designed to specifically improve airflow and maximise heat dissipation to help reduce the operating temperature of the fitting, and improve reliability.



Convenient Maintenance of Driver

The cavity of driver is designed into ingenious structure for quick assembly and disassembly, which is very convenient to later maintenance and driver replacement.

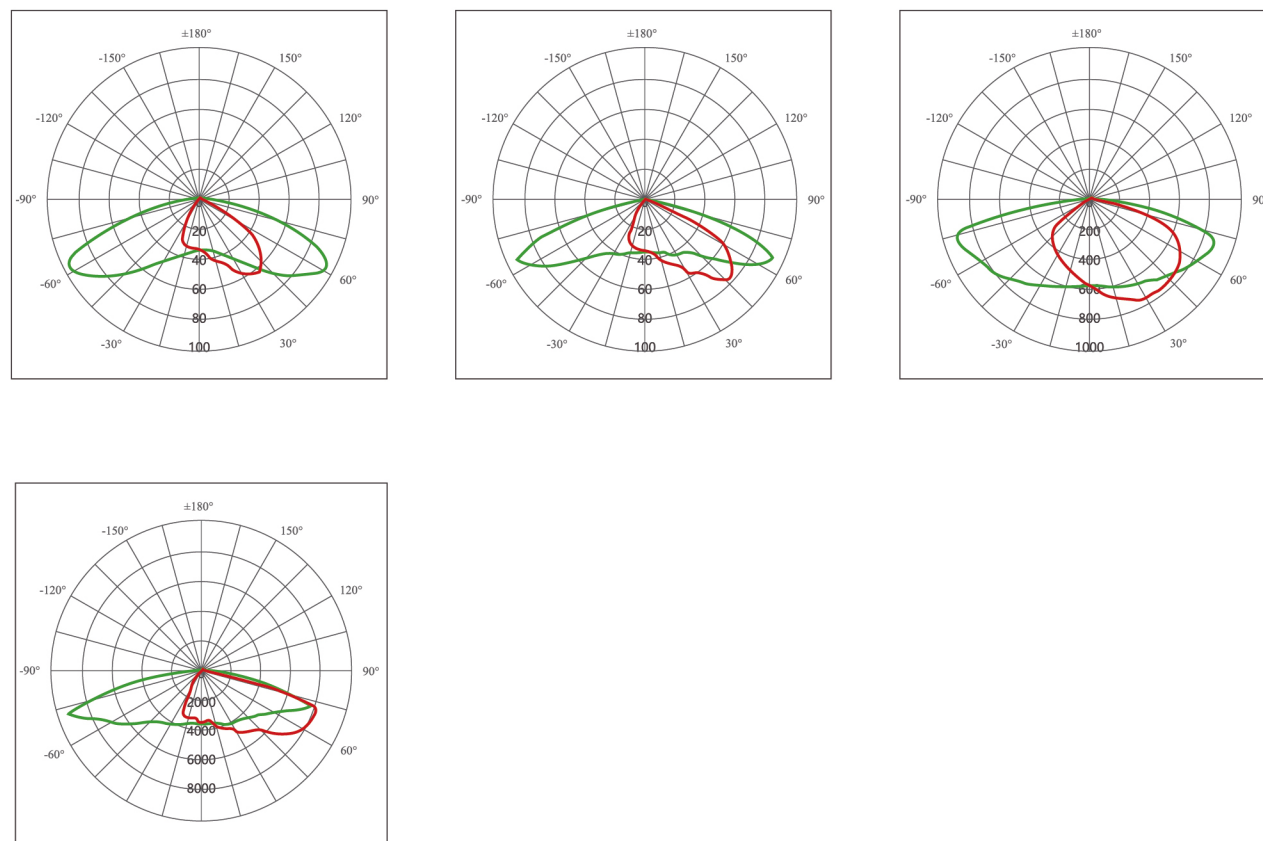
10KV Surge Protection

LED driver comes with a 10KV SPD(Surge protection device) inside, which provides safety protection in a bad weather .

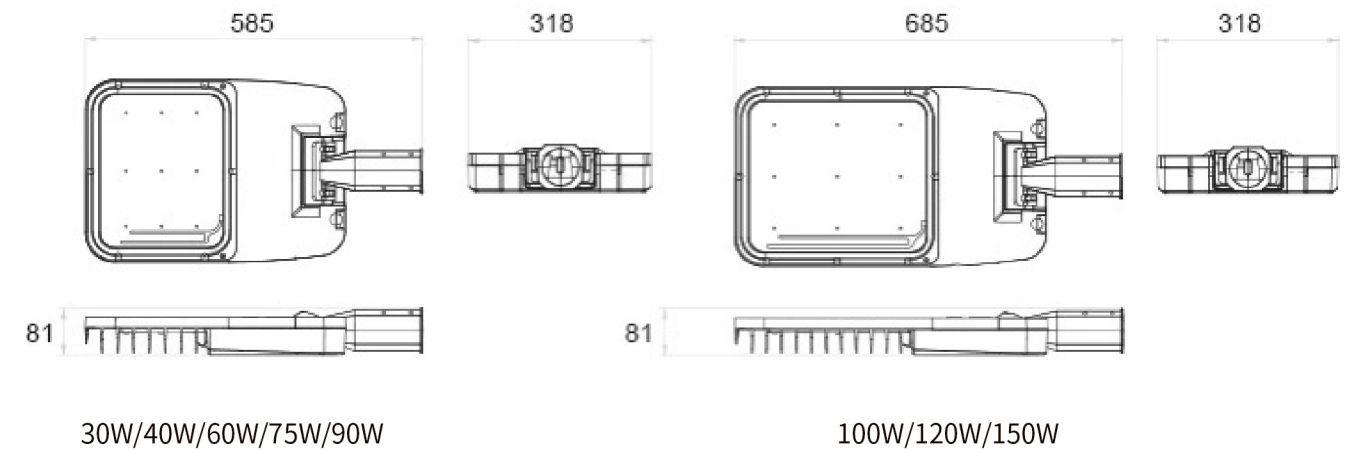
Product Parameter

Part Number	DG-GM01-30W	DG-GM01-50W	DG-GM01-60W	DG-GM01-75W	DG-GM01-90W	DG-GM01-100W	DG-GM01-120W	DG-GM01-150W
Wattage	30W	50W	60W	75W	90W	100W	120W	150W
Lumen Output	3900lm	6500lm	7800lm	9750lm	11700lm	13000lm	15600lm	19500lm
Light Efficiency	130lm/w							
Dimensions(mm)	585*318*76	585*318*76	585*318*76	585*318*76	585*318*76	685*318*81	685*318*81	685*318*81
CRI	>Ra70, >Ra80							
CCT	3000K, 4000K, 5000K, 5700K, 6500K							
Input Voltage	100-240Vac, 100-277Vac, 50-60Hz, PF \geq 0.95							
IP Rating	IP65							
LED Driver	Meanwell, Sosen, Philips							
Working Temperature	-30°C to +50°C							
Lifespan	>50,000Hrs							

Light Distribution



Outline Drawing



Intelligent Control Option

- Dali Control
- 1-10V Dimming Control
- Photocell
- 5-Step Timer Dimming

Certificates

