

ACRUX SERIES



Application

Applied to illuminate the public lighting area such as underground parking lots and passages.



- ▶ 10W, 20W, 30W, 40W, 50W, 60W
- ▶ 130lm/W(120lm/W @3000K)
- ▶ Beam angle: 120deg
- ▶ LM80, ISTMT and TM21 report available
- ▶ 5 years warranty
- ▶ Wide range of lumen output package from 1,440lm up to 7,800lm



4-power-in-1 And CCT Tunable

In order to quickly response to open projects, the Acrux series waterproof light is designed to allow the end users adjust the color temperature and powers by DIP switches according to the real needs on site, which will also reduce the inventory greatly.

Quick Wiring

When wiring or loop in/out connection is required, unlock clips to open the cover with LEDs board integrated for easy access to driver. All would take only a few minutes.

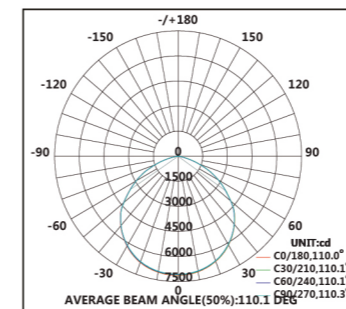
Microwave Motion Sensor And Emergency Pack As Options

Products can be equipped with microwave motion sensor , emergency pack and other solutions as per further requirement.

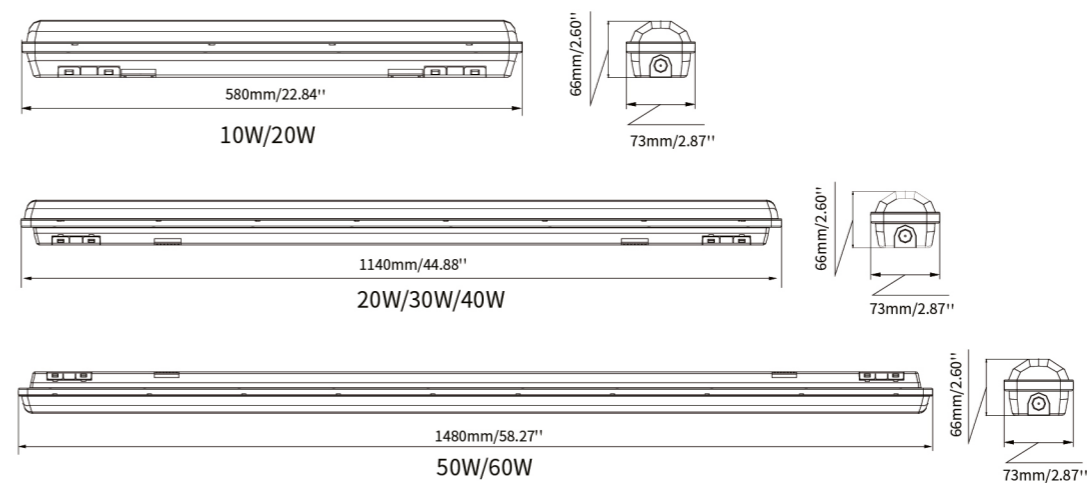
Product Parameter

Part Number	DG-AX01-10W/20W	DG-AX01-20W/30W/40W	DG-AX01-50W/60W
Wattage	10W/20W	20W/30W/40W	50W/60W
Lumen Output	1300lm/2600lm	2600lm/3900lm/5200lm	6500lm/7800lm
Light Efficiency	130lm/w		
Dimensions(mm)	580*73*66	1140*73*66	1480*73*66
CRI	>Ra70, >Ra80		
CCT	3000K, 4000K, 5000K, 5700K, 6500K		
Input Voltage	100-240Vac, 100-277Vac, 50-60Hz, PF≥0.95		
IP Rating	IP65		
LED Driver	Osram, Sosen, Lifud		
Working Temperature	-30°C to +50°C		
Lifespan	>50,000Hrs		

Light Distribution



Outline Drawing



Intelligent Control Option

- Dali Control
- 1-10V Dimming Control
- Occupancy Control
- DMX Control