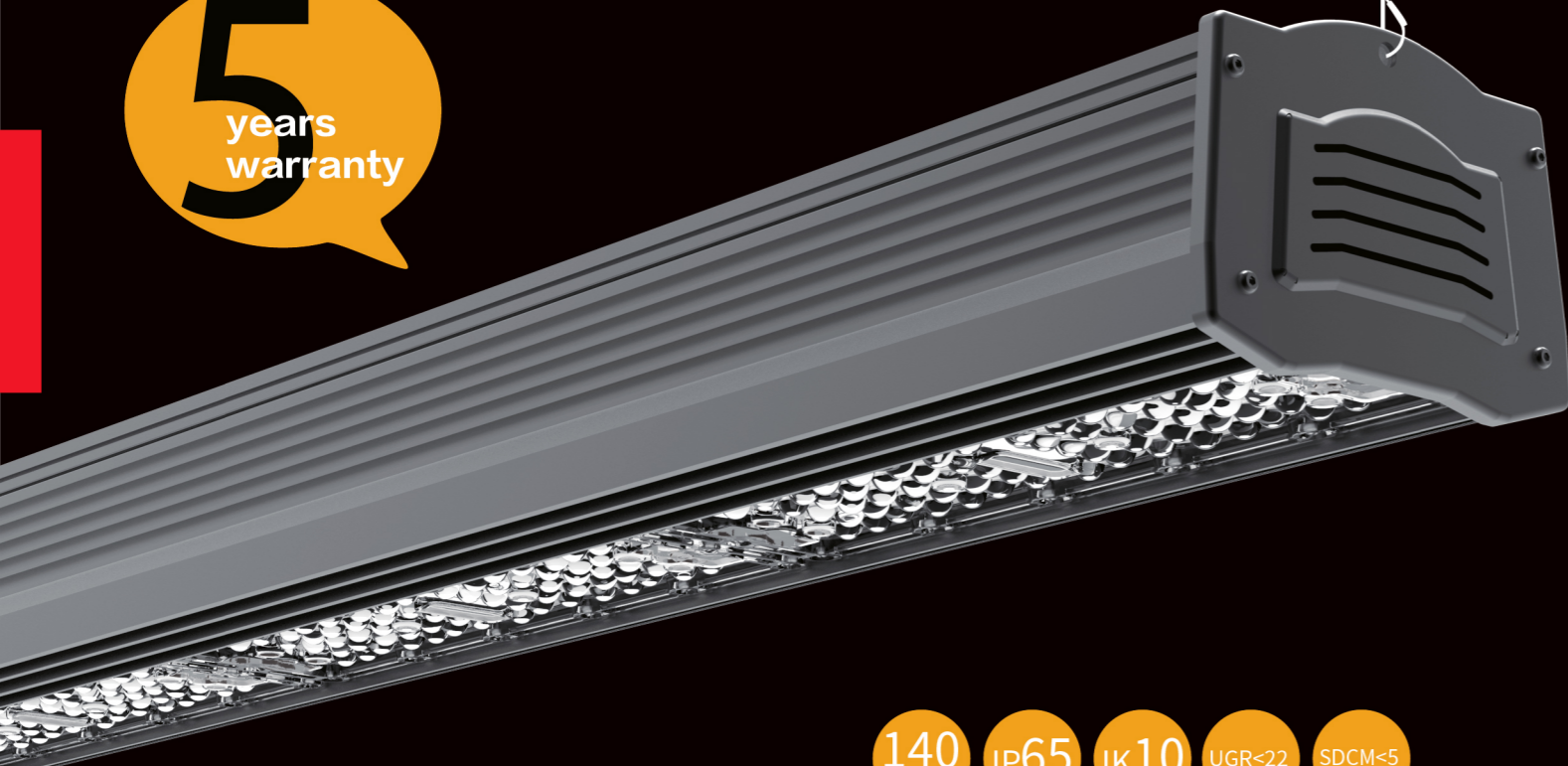


VEGALINEAR SERIES

5
years
warranty



140
lm/W

IP65

IK10

UGR<22

SDCM<5

100W, 150W, 200W

140lm/W

Beam angle: Symmetric & Asymmetric available

LM80, ISTMT and TM21 report available

5 years warranty

Wide range of lumen output package

from 14,000lm up to 28,000lm

- **Stylish Design**

Stylish design with streamlined and visually appealing appearance.

- **Glare Control With A01 Pattern For Aisle Lighting**

Free from streaks and striations, the built-in glare control maintains high quality light without compromising comfort.

- **Make The Most Of Light**

A variety of symmetrical and asymmetrical optics with rectangular and circular patterns maximum the use of light.



LED Linear Highbay

LED Linear Highbay has been engineered to efficiently light any large interior space. It provides specification grade optical performance using high efficiency LED and high power factor LED drivers.

Construction

The LED Linear Highbay has a flexible modular design made out of aluminum alloy.

Optics/Lens

LED Linear Highbay utilizes IP65 sealed light modules which are field replaceable. Available in 90 degree and 30x100 degree beam patterns.

Electrical

Performance greater than 140 lumens per watt. Standard color temperature 5500K, CRI of 80 or greater. Other optional color temp and CRI available on request. LED Drivers: UL/CSA recognized component to meet UL8750 & EN61347 (USR/CNR -E328335). Suitable for input power at 100-277 VAC. Minimum power factor over 0.95 with an operating temperature range of -22F-113F (-30C-45C). Available dimming options include: PWM, 1-10V, Microwave sensor, or Infrared sensor.

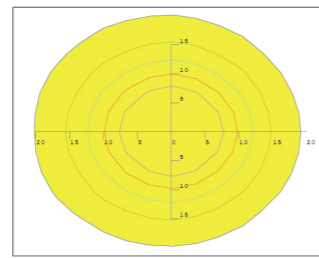
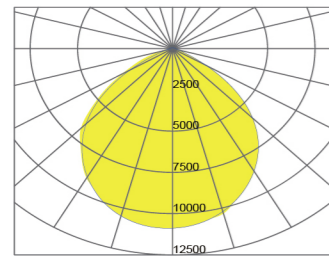
Product Applications

The LED Linear Highbay is designed to efficiently light any large interior space such as warehouses and manufacturing facilities, convention centers/sporting arenas, big-box retail stores, cold storage facilities, gymnasiums and natatoriums.

Light Distribution

gentle beam creating a harmonious lighting environment.

90 DEGREE LENS



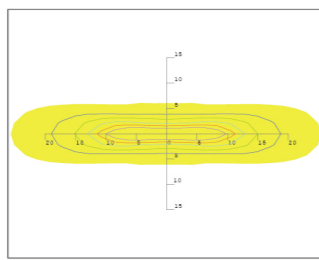
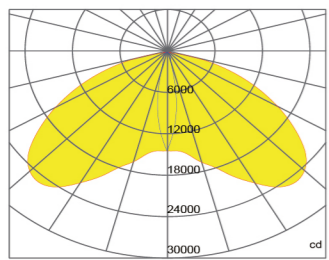
0.0~180.0
90.0~270.0

Mounting Hight 20m, 0 Tilt,
50LUX-5LUX

Height	Beam Diameter	LUX
7m	φ 19m	135LUX
8m	φ 23m	105LUX
9m	φ 24m	84LUX
10m	φ 28m	68LUX
11m	φ 31m	31LUX

Beam Angle (50% max)	90 DEG
Field Angle (10%)	130 DEG
Luminous Flux (IES)	20,000 lm
Light Efficacy (IES)	>100 lm/W
UGR	27
Cutoff Classification	Cutoff

30×100 DEGREE LENS



0.0~180.0
90.0~270.0

Mounting Hight 12m, 0 Tilt,
50LUX-5LUX

Height	Rectangular Light Spot	LUX
8m	4×15m	265LUX
9m	4×17m	209LUX
10m	4×19m	169LUX
11m	5×21m	139LUX
12m	5×22m	117LUX

Beam Angle (50% max)	30×100 DEG
Field Angle (10%)	50×120 DEG
Luminous Flux (IES)	20,000 lm
Light Efficacy (IES)	>100 lm/W
UGR	11/38
Cutoff Classification	Semi-Cutoff

Intelligent Control Option

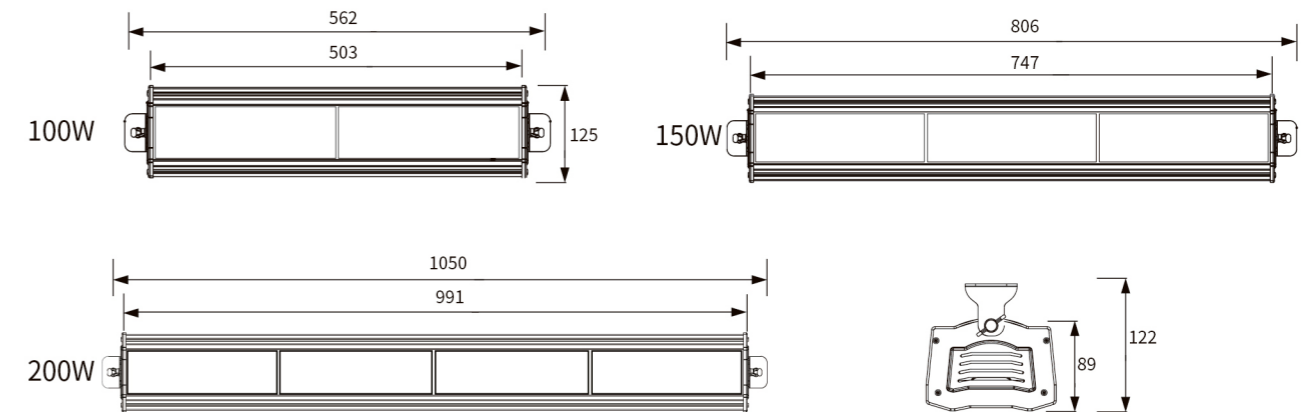
- Dali Control
- 1-10V Dimming Control
- Occupancy Control
- DMX Control
- PIR Sensor
- Daylight Sensor
- Emergency Module



Product Parameter

Part Number	DG-VG01-100W	DG-VG01-150W	DG-VG01-200W
Wattage	100W	150W	200W
Lumen Output	14000lm	21000lm	28000lm
Light Efficiency	140lm/w		
Dimensions(mm)	560*122*126	806*122*126	1050*122*126
CRI	>Ra70, >Ra80		
CCT	3000K, 4000K, 5000K, 5700K, 6500K		
Input Voltage	100-240Vac, 100-277Vac, 50-60Hz, PF≥0.95		
IP Rating	IP65		
LED Driver	Meanwell, Sosen, Philips		
Working Temperature	-30°C to +50°C		
Lifespan	>50,000Hrs		

Outline Drawing



PACKAGE

Wattage	Packing	Dimension (mm)	Net Weight	Outer Carton Size(mm)	Outer Box G.W.
100W	1pcs per carton without inner box	560*122*126	4.1KG	575*395*275	17.2KG
150W		806*122*126	5.2KG	820*395*275	21.9KG
200W		1050*122*126	6.7KG	1065*385*282	28.5KG