

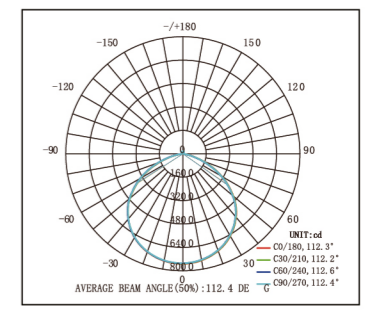
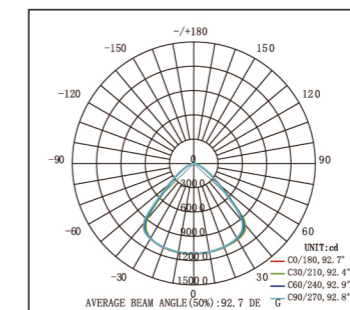
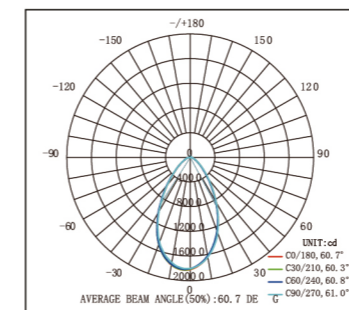


CANOPUS SERIES

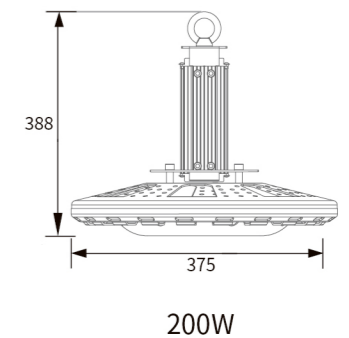
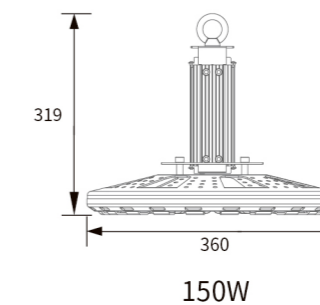
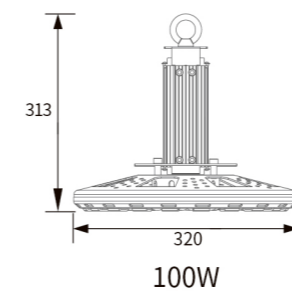
Product Parameter

Part Number	DG-CP01-100W			CP01-150W			DG-CP01-200W		
Wattage	100W			150W			200W		
Lumen Output	13000lm	15000lm	16500lm	19500lm	22500lm	24750lm	26000lm	30000lm	33000lm
Light Efficiency	130lm/w, 150lm/w, 165lm/w								
Dimensions(mm)	Φ320*313			Φ360*319			Φ375*388		
CRI	>Ra70, >Ra80								
CCT	3000K, 4000K, 5000K, 5700K, 6500K								
Input Voltage	100-240Vac, 100-277Vac, 50-60Hz, PF≥0.95								
IP Rating	IP66								
LED Driver	Philips								
Working Temperature	-30°C to +50°C								
Lifespan	>50,000Hrs								

Light Distribution



Outline Drawing



Intelligent Control Option

- Dali Control
- 1-10V Dimming Control
- Occupancy Control
- DMX Control
- PIR Sensor
- Daylight Sensor
- Emergency Module

7 YEAR WARRANTY
Operating temperature -40°C~45°C

3 YEAR WARRANTY
Operating temperature -40°C~70°C

Perfect solution for high temperature working places

165 lm/W IP66 IK10 UGR<22 SDCM<5

100W, 150W, 200W
165lm/W
Beam angle: 55deg, 85deg, 100deg
LM80, ISTMT and TM21 report available
5 years warranty
Wide range of lumen output package from 13,000lm up to 33,000lm

