

TAURUS SERIES

5 years warranty



Taurus constructed from high grade aluminum alloys and has an IP65 and petrochemical industry rating, suitable for both indoor and outdoor applications. Designed for high-bay / low-bay applications to replace metal halide, high-pressure mercury and high pressure sodium lamp fixtures. It is available in numerous choices of optics for a wide range of applications. Available with numerous versatile mounting systems including its a patented Snap & Turn mounting system enabling, a simple, safe and cost effective installation.

150 lm/W IP65 IK10 UGR<22 SDCM<5

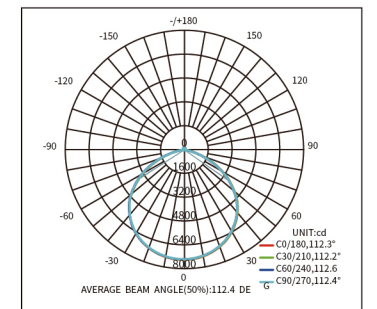
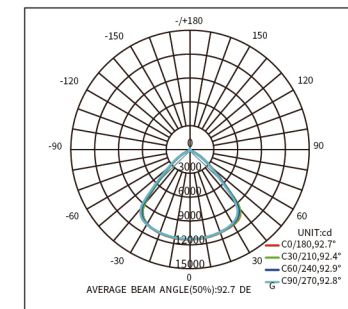
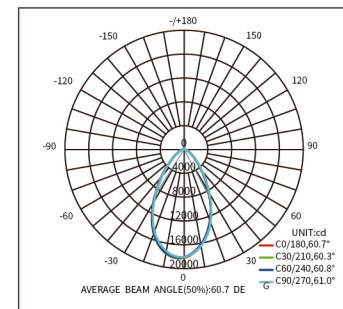
100W, 150W, 200W
150lm/W
Beam angle: 60deg,90deg,100deg
LM80, ISTMT and TM21 report available
5 years warranty
Wide range of lumen output package from 12,000lm up to 30,000lm



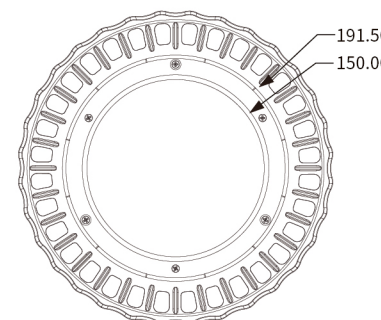
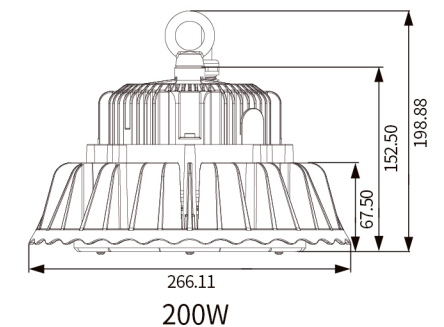
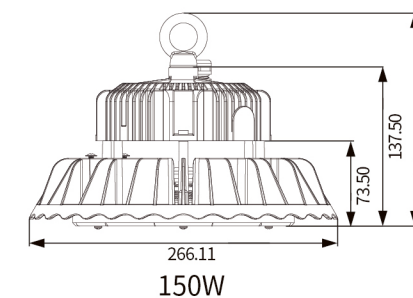
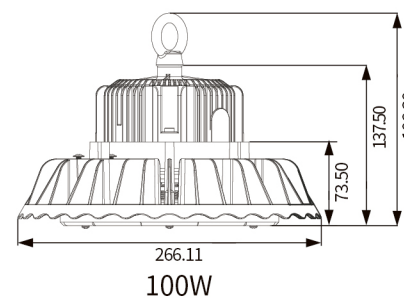
Product Parameter

Part Number	DG-TS01-100W			DG-TS01-150W			DG-TS01-200W		
Wattage	100W			150W			200W		
Lumen Output	12000lm	13500lm	15000lm	18000lm	20250lm	22500lm	24000lm	27000lm	30000lm
Light Efficiency	120lm/w, 135lm/w, 150lm/w								
Dimensions(mm)	Φ266*186			Φ266*186			Φ266*198		
CRI	>Ra70, >Ra80								
CCT	3000K, 4000K, 5000K, 5700K, 6500K								
Input Voltage	100-240Vac, 100-277Vac, 50-60Hz, PF≥0.95								
IP Rating	IP65								
LED Driver	Meanwell, Sosen, Lifud								
Working Temperature	-30°C to +50°C								
Lifespan	>50,000Hrs								

Light Distribution



Outline Drawing



Intelligent Control Option

- Dali Control
- 1-10V Dimming Control
- Occupancy Control
- DMX Control