

CANIS SERIES

5 years warranty



Canis series is copper free aluminum alloy body. Powder coated for added durability and an attractive aesthetic appearance. Special heat dissipating design in conjunction with LED technology helps this fixture to achieve an excellent 50,000 hour rated life span with 80% lumen retention. Light weight and a low profile make this unit an attractive alternative to larger and heavier older fixtures and require less hardware to install.

180 lm/W IP65 IK10 UGR<22 SDCM<5

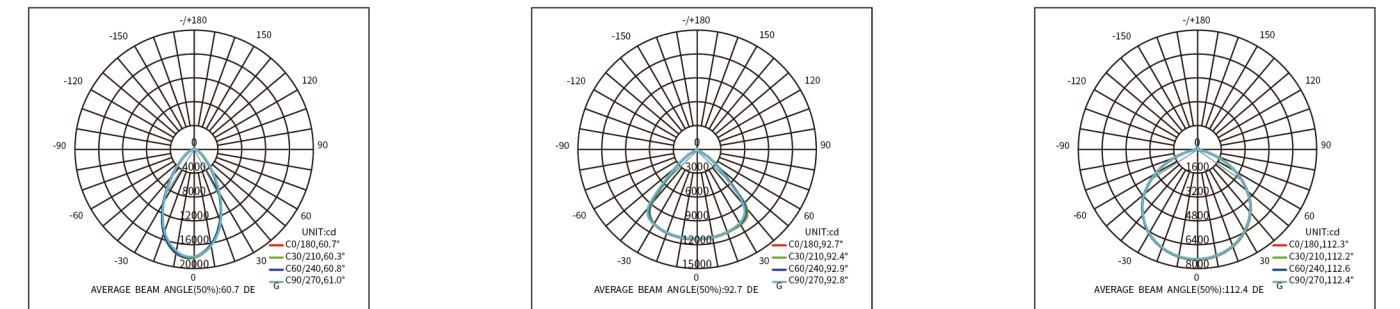
100W, 150W, 200W, 240W
 180lm/W
 Beam angle: 60deg,90deg,100deg
 LM80, ISTMT and TM21 report available
 5 years warranty
 Wide range of lumen output package from 13,000lm up to 43,200lm



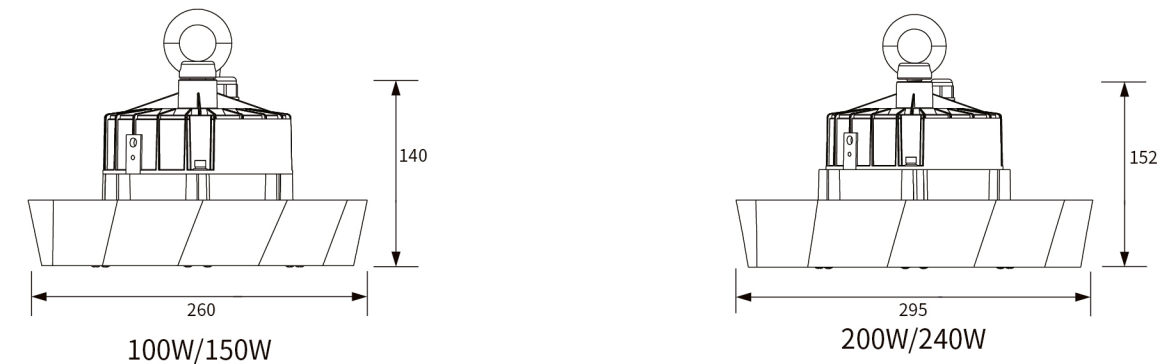
Product Parameter

Part Number	DG-CS01-100W	DG-CS01-150W	DG-CS01-200W	DG-CS01-240W
Wattage	100W		240W	
Lumen Output	13000lm	16000lm	18000lm	19500lm
Light Efficiency	130lm/w, 160lm/w, 180lm/w			
Dimensions(mm)	Φ260*140	Φ260*140	Φ295*152	Φ295*152
CRI	>Ra70, >Ra80			
CCT	3000K, 4000K, 5000K, 5700K, 6500K			
Input Voltage	100-240Vac, 100-277Vac, 50-60Hz, PF≥0.95			
IP Rating	IP65			
LED Driver	Meanwell, Sosen, Lifud			
Working Temperature	-30°C to +50°C			
Lifespan	>50,000Hrs			

Light Distribution



Outline Drawing



Intelligent Control Option

- Dali Control
- 1-10V Dimming Control
- Occupancy Control
- DMX Control
- PIR Sensor
- Daylight Sensor
- Emergency Module